

PLEASE CHECK WWW.MOLEX.COM FOR LATEST PART INFORMATION

Part Number: [0191930247](#)
Status: **Active**
Description: VersaKrimp™ Ring Tongue Terminal for 6 AWG Wire, Stud Size 10, Mylar Tape Carrier

Documents:

[Drawing \(PDF\)](#) [RoHS Certificate of Compliance \(PDF\)](#)

Agency Certification

CSA LR18689
 UL E32244

General

Product Family Ring and Spade Terminals
 Series [19193](#)
 Crimp Quality Equipment Yes
 Mil-Spec N/A
 Product Name VersaKrimp™
 Type Ring

Physical

Barrel Type Closed - Brazed
 Insulation None
 Material - Plating Mating Tin
 Packaging Type Adhesive Tape on Reel
 Stud Size 10 (M5)
 Wire Size AWG 6
 Wire Size mm² 6.60 - 10.5

Material Info

Old Part Number E-360-10T

Reference - Drawing Numbers

Sales Drawing SD-19193-032



EU RoHS

ELV and RoHS Compliant
REACH SVHC
 Not Reviewed
Halogen-Free Status
Not Reviewed

China RoHS



Need more information on product environmental compliance?

Email productcompliance@molex.com
 For a multiple part number RoHS Certificate of Compliance, [click here](#)

Please visit the [Contact Us](#) section for any non-product compliance questions.

Search Parts in this Series

[19193Series](#)

Application Tooling | [FAQ](#)

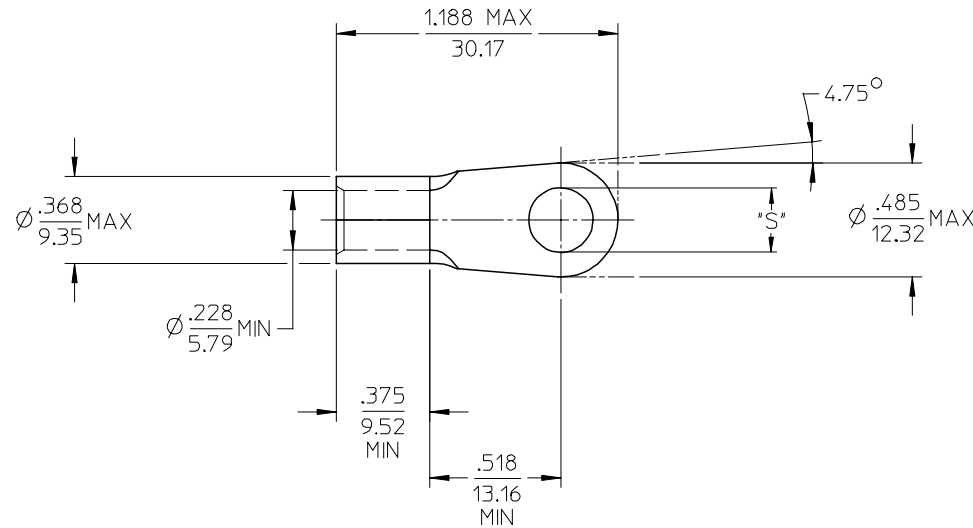
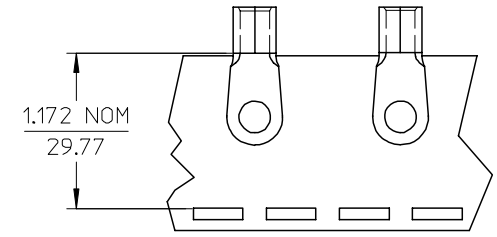
Tooling specifications and manuals are found by selecting the products below. Crimp Height Specifications are then contained in the Application Tooling Specification document.

Global

Description	Product #
ATP Perishable Tool Kit used in ATP presses that process product on tape	0190270145
Crimp Dies for the ATP-201™ Air Crimping Press for Mylar Tape Mounted Terminals	0190472010

PLEASE CHECK WWW.MOLEX.COM FOR LATEST PART INFORMATION

MATERIAL NO. LOOSE PIECE	ENG. NO.	MATERIAL NO. TAPE MOUNTED	ENG. NO.	STUD SIZE	±.003 *S*	STOCK THICKNESS
191930243	E-360-08	191930244	E-360-08T	8	.173	.050/(1.27) (B)
191930245	E-360-10	191930247	E-360-10T	10	.198	
191930248	E-360-14	191930250	E-360-14T	1/4	.265	
191930251	E-360-56	191930253	E-360-56T	5/16	.328	



SALES DRAWING

NOTE(S):

1. MATERIAL: COPPER
2. PLATING: ELECTROPLATE TIN
3. ALL DIMENSIONS IN INCHES/(MM).
4. WIRE SIZE: 6 AWG
16 MM²

(B) 5. PART IS ROHS COMPLIANT.

REVISED MATL THKNS EC NO: ETC2007-0011 DRW: NEHLE 2006/07/12 CHKD: JMAGNELL 2006/07/13 APPR: RDOERSS 2006/07/17	QUALITY SYMBOLS ▽=0 ▽=0	GENERAL TOLERANCES (UNLESS SPECIFIED)		DIMENSION STYLE IN/MM	SCALE 2:1	DESIGN UNITS INCH	THIRD ANGLE PROJECTION		
			mm	INCH	DRAWN BY DLM	DATE 03/07/28	TITLE RING TONGUE TERMINAL VERSAKRIMP SERIES 6 AWG		
		4 PLACES	± ---	± ---	CHECKED BY HEB	DATE 03/07/28			
		3 PLACES	± ---	± .005	APPROVED BY RWD	DATE 03/07/28	MOLEX INCORPORATED		
2 PLACES	± 0.13	± .01	DRAFT WHERE APPLICABLE MUST REMAIN WITHIN DIMENSIONS		MATERIAL NO. SEE CHART	DOCUMENT NO. SD-19193-032	SHEET NO. 1 OF 1		
1 PLACE	± 0.25	± ---	THIS DRAWING CONTAINS INFORMATION THAT IS PROPRIETARY TO MOLEX INCORPORATED AND SHOULD NOT BE USED WITHOUT WRITTEN PERMISSION						
		ANGULAR ±1/2°							